



Quotation / Order Form

installations@windows-are-us.co.uk

01789 299 910

COMPANY INFORMATION

Company Name:

Address:

Telephone:

Email:

JOB INFORMATION

Job Ref:

Contact Name:

Delivery Address:

**If delivery address changes additional charges may apply*

ROOF DESIGN INFO

Dimensions: Internal Frame Small Pod Construction where access is limited

Pitch.....°

Mark position of roof vents and IcoViews on drawing

Roof Vent (Velux)

Small (550 x 780)

Large (780 x 980)

Other

Manual

Electric*

Solar*

*Active

IcoView

Blue Clear

Neutral

Other.....

IcoView width

.....

(800 max - this is the width of the pod and not the glass unit size - please refer to technical for exact glass width if required)

ROOF OPTIONS






<p>IcoTile 10° min</p> <p><input type="checkbox"/> Raven</p> <p><input type="checkbox"/> Titanium Grey</p> <p><input type="checkbox"/> Rustic Brown</p> <p><input type="checkbox"/> Brindle Brown</p> <p><input type="checkbox"/> Rustic Red</p> <p><input type="checkbox"/> Smoked Oak</p> <p>Pre-cut tiles <input type="checkbox"/></p>	<p>Fascia Colour</p> <p><input type="checkbox"/> White</p> <p><input type="checkbox"/> Black</p> <p><input type="checkbox"/> Rosewood</p> <p><input type="checkbox"/> Anthracite Grey</p> <p>U-Value Required</p> <p><input type="checkbox"/> 0.12 <input type="checkbox"/> 0.15</p> <p>External Soffit</p> <p><input type="checkbox"/> 150mm</p> <p>Other.....</p> <p>Internal Soffit</p> <p>.....mm</p> <p><small>200mm - 600mm in 100mm increments</small></p> <p>Plasterboard</p> <p><input type="checkbox"/> Supplied <input type="checkbox"/> None</p>	<p>Gutter & Downpipe Colour</p> <p><input type="checkbox"/> White <input type="checkbox"/> Black <input type="checkbox"/> Brown <input type="checkbox"/> Anthracite Grey</p> <table border="1" style="width: 100%; border-collapse: collapse;"> <tr> <td style="width: 50%;">Downpipe Profile</td> <td style="width: 50%;">Gutter Profile</td> </tr> <tr> <td><input type="checkbox"/> Square</td> <td><input type="checkbox"/> Square Gutter</td> </tr> <tr> <td><input type="checkbox"/> Round</td> <td><input type="checkbox"/> Half Round Gutter</td> </tr> <tr> <td></td> <td><input type="checkbox"/> Ogee Gutter</td> </tr> </table> <p>Drainage Mat <input type="checkbox"/> Yes <input type="checkbox"/> No</p> <p>DO NOT MAKE ARRANGEMENTS UNTIL ICOTHERM HAS SENT YOU A DELIVERY DATE.</p> <p><small>I acknowledge it is my responsibility to make sure the existing structure is suitable to support all lateral and vertical loads and to contact building control to issue any required building warrant. I acknowledge that IcoTherm cannot be responsible for any products not fitted in accordance with their installation guide.</small></p> <table border="1" style="width: 100%; border-collapse: collapse;"> <tr> <td style="width: 60%;">SIGNED:</td> <td style="width: 40%;">DATE:</td> </tr> <tr> <td style="height: 30px;"></td> <td style="text-align: center;">...../...../.....</td> </tr> <tr> <td>PRINT NAME:</td> <td style="border: 2px solid red;">DATE REQUIRED:</td> </tr> <tr> <td style="height: 30px;"></td> <td style="text-align: center; border: 2px solid red;">...../...../.....</td> </tr> </table>	Downpipe Profile	Gutter Profile	<input type="checkbox"/> Square	<input type="checkbox"/> Square Gutter	<input type="checkbox"/> Round	<input type="checkbox"/> Half Round Gutter		<input type="checkbox"/> Ogee Gutter	SIGNED:	DATE:	/...../.....	PRINT NAME:	DATE REQUIRED:	/...../.....
Downpipe Profile	Gutter Profile																	
<input type="checkbox"/> Square	<input type="checkbox"/> Square Gutter																	
<input type="checkbox"/> Round	<input type="checkbox"/> Half Round Gutter																	
	<input type="checkbox"/> Ogee Gutter																	
SIGNED:	DATE:																	
/...../.....																	
PRINT NAME:	DATE REQUIRED:																	
/...../.....																	

Quotation / Order Form

Colours & Options



IcoTile **10° min**

-  Black (Raven)
-  Dark Grey (Titanium Grey)
-  Rustic Brown
-  Brindle Brown (Smoked Oak)
-  Brindle Red (Rustic Red)
-  Red (Rustic Terracotta)

IcoSlate **12° min**

-  Slate
-  Sunset
-  Ash
-  Amethyst
-  Oak


3° min Ico600

Low pitch option for Lean-to roofs.






IcoView

BLUE
CLEAR
NEUTRAL



Maximum width - 800mm
Standard Specification - Low-e, Self clean, 1.2 W/m²K U-Value

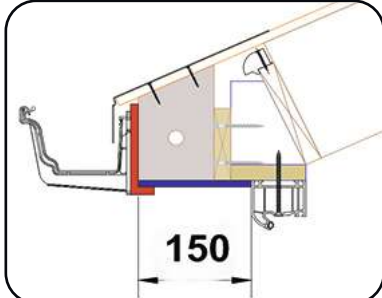
Gutter Options

Ogee Gutter	Square Gutter
 White	
 Black	
 Brown	
 Anthracite Grey	
Round Downpipe	Square Downpipe
	

Colour choice will be for both gutter & downpipe
Roofs with a box gutter will default to square gutter

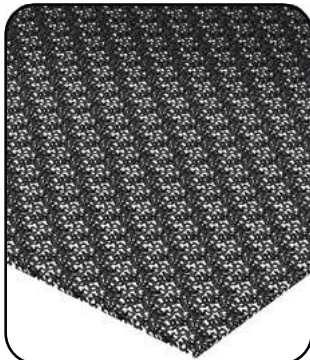
150mm external Soffit

Fascia overhang kit option allows for external recessed lighting in soffit board



Drainage Mat

For the best roofing results always specify drainage mat. Easy to fit and guarantees ventilation between tile and board. Not suitable with slate.



Colours & Options

Velux Options

Manual
White Painted



Solar
(requires
no mains
power)



Manual
Pine



Electric
(requires
mains
power)



VELUX ACTIVE starter kit
(KIX 300)

For VELUX electric roof windows, blinds and shutters. Automatic, sensor-based operation. Monitors temperature, humidity and CO2 levels and automatically operates windows, blinds and shutters. Connected to VELUX ACTIVE app. Easy and fast installation.

Sync your VELUX roof windows and A/C system to avoid unnecessary energy spend.

Kit includes one indoor climate sensor and departure switch - for one room and one exit.

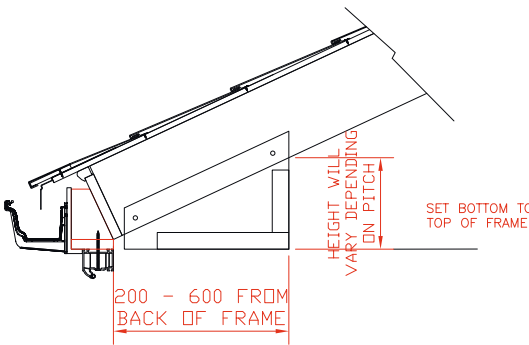
Active is only available with Electric and Solar Velux windows

Small - CK02 - 550mm x 780mm

Large - MK04 - 780mm x 980mm

Other - Specify your own size from the Velux website list

Internal Pelmet



Internal Pelmet option available Suitable for recessed lighting or fixing blind or curtain tracks

Pre - Cut Tiles



Pre-cut tiles offers time saving on site. Roof tiles are cut to fit the roof, Hip and Ridge tiles are still left long for cutting in on site. Additional Charges apply.

U-Value Options



U -Values required across the UK are different.

IcoTherm Pro - 0.12W/m²K covers Wales and Scotland

IcoTherm Standard - 0.15W/m²K meets the current standard in England

Small Pod Construction

Small pod construction option, makes all roof pods a maximum of 600mm wide (length is unaffected). This will mean more fixings are required to assemble your roof.

We recomend using if the delivery paths are restricted.