

WENDLAND LOW PITCH ENQUIRY FORM

Windows Are Us
Unit 9a
Avenue Farm Ind. Estate
Stratford Upon Avon
CV37 0HR



www.windows-are-us.co.uk

Email all enquiries to:
installations@windows-are-us.co.uk

Company: _____
Account No. _____
Address: _____
Postcode: _____
Tel: _____
Fax: _____
Mobile: _____
Contact Name: _____
Job Ref: _____

Use the grid below to draw a sketch of your roof design giving your dimensions in millimetres

HOUSE WALL

All sizes are INTERNAL SILL

Wall on left

Please tick box if appropriate:

Frame on left

Please tick box if appropriate:

Wall on right

Please tick box if appropriate:

Frame on right

Please tick box if appropriate:

Requested delivery date: / /

!! IMPORTANT !! Show down pipe position with ⊗

We will use 0.6kn/m² to calculate the snow loading on this roof unless a site postcode is supplied.

ROOF COLOUR	EXTERNAL	INTERNAL
WHITE	<input type="checkbox"/>	<input type="checkbox"/>
Golden Oak	<input type="checkbox"/>	<input type="checkbox"/>
Cherrywood	<input type="checkbox"/>	<input type="checkbox"/>
Grey (7016)	<input type="checkbox"/>	<input type="checkbox"/>

ROOF GLAZING	
POLYCARBONATE - 32mm ONLY	
CLEAR <input type="checkbox"/>	Silver Opal <input type="checkbox"/>
Bronze <input type="checkbox"/>	Bronze Opal <input type="checkbox"/>
Opal <input type="checkbox"/>	Unglazed for poly <input type="checkbox"/>

FIRRINGS - 2.5 Degree	
No Firrings Req	<input type="checkbox"/>
Firrings Req - No Reinforcing	<input type="checkbox"/>
Firrings Req - With Reinforcing	<input type="checkbox"/>
If you would like Firrings cut to internal projection tick here	<input type="checkbox"/>

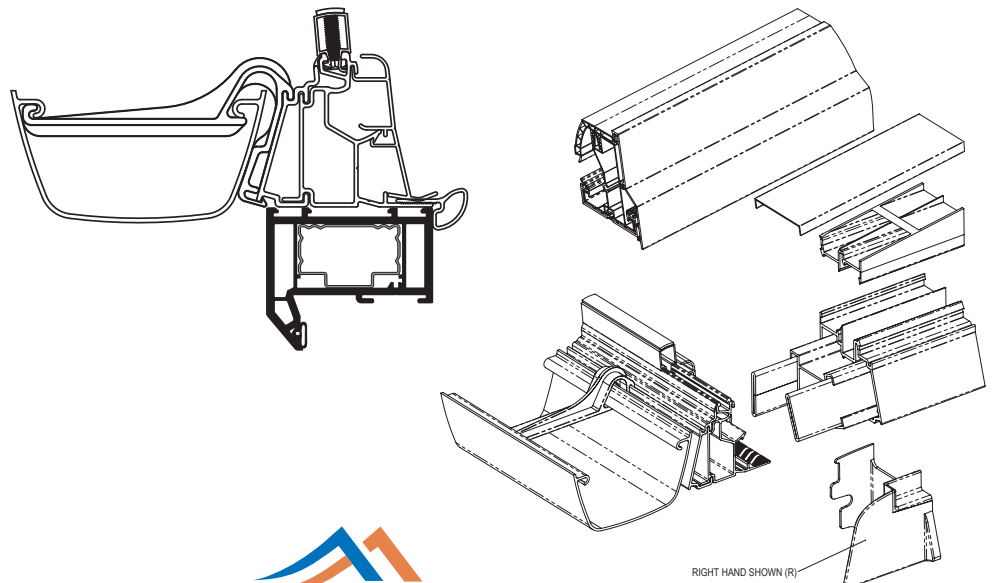
Bespoke Colour

External RAL* _____

Internal RAL* _____

*Bespoke colours have black gutter as standard. Please cross below if you require painted gutter

Colour match gutter required*



Please note: If none of the boxes are ticked we will take as **STANDARD**
For further information please refer to our structural information guide.
Our conditions of sale shall apply to the sale of the goods to the exclusion of all other terms, unless agreed in writing by TCR (Derby) Ltd.



RIGHT HAND SHOWN (R)