



Windows Are Us

installations@windows-are-us.co.uk

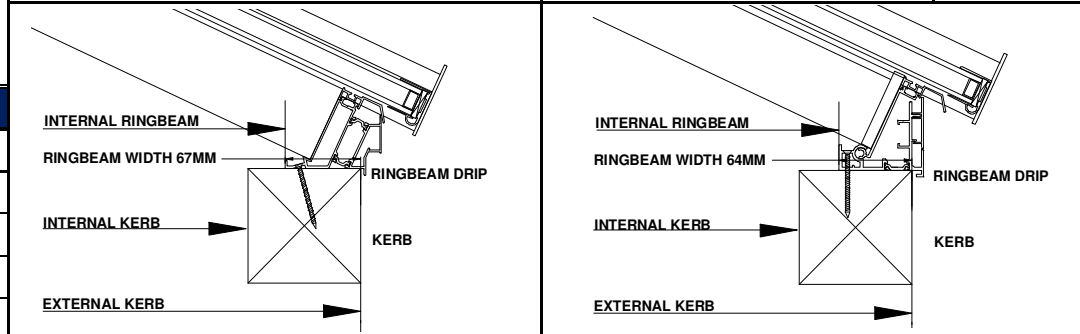
Tel: 01789 299 910

LANTERN 2.0 : QUOTE ORDER Please Tick

Dimensions shown are: External Kerb Internal Kerb Kerb Width: Internal Ringbeam

The fixed ringbeam is for 25 degree pitches and the variable ringbeam is used on other pitches and with jack rafters.

Fixed 25 degrees ringbeam section **Variable pitch ringbeam section** Roof Pitch:



Customer Details:

Customer Ref:

Quote No:

Delivery Address:

Profile Colour

External	Internal
Alu White Caps	Standard White
Alu RAL Caps	RAL
Light oak foil PVCu	Light oak foil
Rosewood foil PVCu	Rosewood foil
White PVCu caps	

External RAL: Finish

Internal RAL: Finish

Double Glazed - 4/16/4 (24mm units)

- Un-glazed
- Self clean Blue Solar/Low e
- Self clean Neutral Solar/Low e
- Self clean clear /Low e
- Cesius elite
- Other:

Triple Glazed - 4/16/4/16/4 (44mm units)

- Un-glazed
- Self clean Blue Solar /Low e/Low e
- Self clean Neutral Solar /Low e/Low e
- Self clean clear /Low e/ Low e
- Bronze anitsun /Low e /Low e
- Other:

Please indicate roofvent positions on your sketch above

Tie Bars

Hidden Lazer

Box Section

Rod Tie

Rod Tie Colour

Roofvent

Roofvent Qty-

Manual with pole Electric opener

Spindle colour

Wall Rocker switch operated

Rain Sensor/Thermostat control (Analogue)

Rain Sensor/Thermostat control (Digital)

Ridge Detail

Mark III Ridge (Contemporary lanterns)

Mark II Ridge (Lanterns with jack rafters)

Crestring Fleur de Lys

Fleur de Lys Finial

Ball Finial

If you wish to place an order please sign and email/fax back.

Spacer Bar

- Black Warm Edge
- Silver alu
- Other:

Print Name: _____ Signed: _____

Date: _____

Sills (if required)

Sill

Aluminium Sill

150mm 190mm

PVCu sill

150mm 180mm